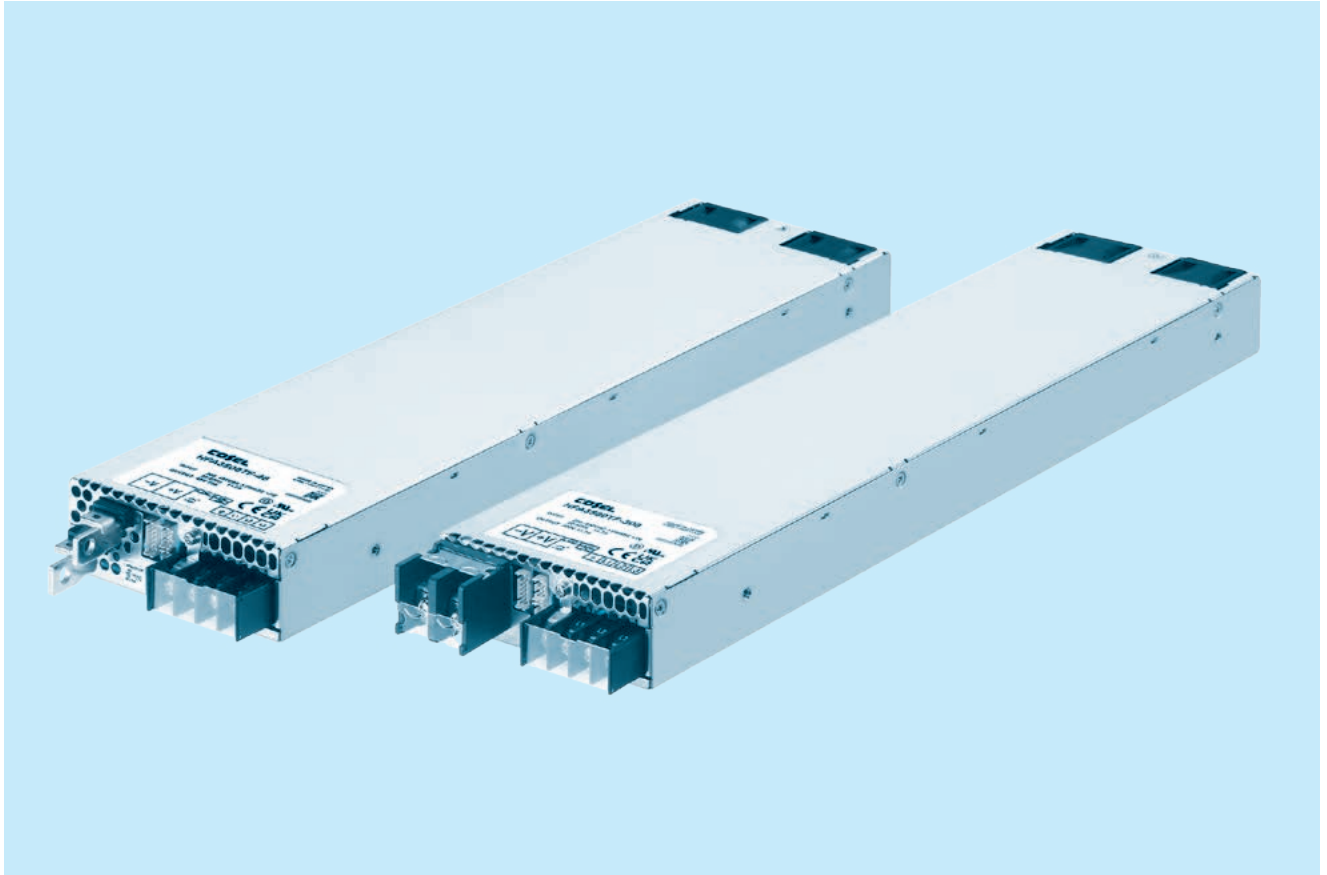


HFA-series



Feature

Low profile (41mm, 1.61 inch = Meet 1U height)
 Wide input voltage range : 3 ϕ 180 · 528VAC
 Built-in AUX power 12V 1A
 Complies with SEMI F47
 Parallel Operation / N+1 Parallel Redundancy Operation
 High efficiency 94.5%typ
 (at 400VAC input and 130V, 200V, 300V output)
 Built-in Alarms
 Built-in ORING DEVICE

Safety agency approvals

UL62368-1, C-UL (CSA62368-1), EN62368-1

5-year warranty (Refer to Instruction Manual)

CE marking

Low voltage Directive
 RoHS Directive

UKCA marking

Electrical Equipment Safety Regulations
 RoHS Regulations

EMI

Complies with FCC Part 15-A, FCC Part18-A, CISPR11-A,
 CISPR32-A, EN55011-A, EN55032-A, VCCI-A

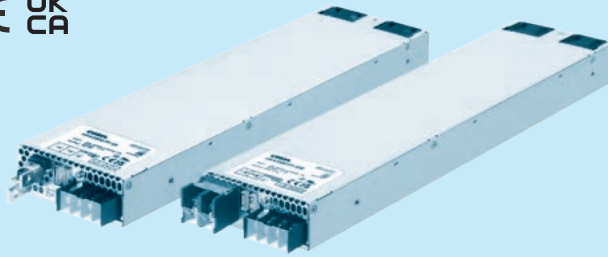
EMS Compliance : EN61204-3, EN61000-6-2

EN61000-4-2
 EN61000-4-3
 EN61000-4-4
 EN61000-4-5
 EN61000-4-6
 EN61000-4-8
 EN61000-4-11

HFA3500TF

HF A 3500 TF -□□ -□

① ② ③ ④ ⑤ ⑥



- ① Series name
- ② Single output
- ③ Output wattage
- ④ 3 phase full range input
- ⑤ Output voltage
- ⑥ Optional
- R : with Remote ON/OFF
Positive logic control
- G : Low leakage current
- 14 : with MODBUS interface

MODEL	HFA3500TF-48	HFA3500TF-65	HFA3500TF-90	HFA3500TF-130	HFA3500TF-200	HFA3500TF-300
MAX OUTPUT WATTAGE[W]	3504	3510	3510	3510	3500	3510
DC OUTPUT	48V 73A	65V 54A	90V 39A	130V 27A	200V 17.5A	300V 11.7A

SPECIFICATIONS

	MODEL	HFA3500TF-48	HFA3500TF-65	HFA3500TF-90	HFA3500TF-130	HFA3500TF-200	HFA3500TF-300	
INPUT	VOLTAGE[VAC]	*1 180 - 528 3 φ 3-wire (Available to 3 φ 4-wire as well (without N phase))						
	CURRENT[A]	ACIN 200V	11.7typ					
		ACIN 400V	5.9typ					
	FREQUENCY[Hz]	50 / 60 (45 - 66)						
	EFFICIENCY[%]	ACIN 200V (Io=100%)	91typ	92typ	92.5typ	93typ	93typ	93typ
		ACIN 400V (Io=100%)	93typ	94typ	94typ	94.5typ	94.5typ	94.5typ
	POWER FACTOR	ACIN 200V (Io=100%)	0.95typ					
		ACIN 400V (Io=100%)	0.94typ					
INRUSH CURRENT[A]	ACIN 200V *2	20 / 30 typ (Io=100%) (Primary / Secondary inrush current)(At cold start) (Ta=25°C)						
	ACIN 400V *2	40 / 30 typ (Io=100%) (Primary / Secondary inrush current)(At cold start) (Ta=25°C)						
LEAKAGE CURRENT[mA]	3 max (ACIN 480V 60Hz, Io=100%, Complies with IEC62368-1)							
OUTPUT	VOLTAGE[V]	48	65	90	130	200	300	
	CURRENT[A]	73	54	39	27	17.5	11.7	
	LINE REGULATION[mV]	192max	260max	360max	520max	800max	1200max	
	LOAD REGULATION[mV]	300max	450max	720max	1040max	1600max	3000max	
	RIPPLE[mVp-p]	0 to +70°C *3	360max	480max	1800max	1950max	3000max	3000max
		-10 to 0°C *3	480max	650max	2700max	3250max	5000max	5000max
	RIPPLE NOISE[mVp-p]	0 to +70°C *3	600max	790max	2250max	2600max	4000max	4000max
		-10 to 0°C *3	720max	950max	3150max	3900max	6000max	6000max
	TEMPERATURE REGULATION[mV]	0 to +50°C	390max	530max	720max	1040max	1600max	2400max
		-10 to +50°C	480max	650max	900max	1300max	2000max	3000max
	START-UP TIME[ms]	400 typ (ACIN 200/400V, Io=100%)						
	HOLD-UP TIME[ms]	20 typ (ACIN 200V, Io=55%) / 10 typ (ACIN 200V, Io=100%)						
OUTPUT VOLTAGE ADJUSTMENT RANGE[V]	24.00 to 55.20	32.50 to 74.75	45.00 to 105.00	65.00 to 170.00	100.00 to 260.00	200.00 to 400.00		
OUTPUT VOLTAGE SETTING[V]	48.00 to 48.48	65.00 to 65.65	90.00 to 90.90	130.00 to 131.30	200.00 to 202.00	300.00 to 303.00		
PROTECTION CIRCUIT AND OTHERS	OVERCURRENT PROTECTION	Works over 105% of rating (Recovers automatically, Hiccup overcurrent)						
	OVERVOLTAGE PROTECTION[V]	57.60 to 67.20	78.00 to 91.00	110.00 to 126.00	177.00 to 195.00	270.00 to 300.00	420.00 to 460.00	
	REMOTE SENSING	Provided				Unavailable		
	REMOTE ON/OFF	Provided						
	DC_OK LAMP	LED (Blue)						
	ALARM LAMP	LED (Amber)						
ISOLATION	Input - Output,CN1, CN2, CN3	4,243VAC 1minute, Cutoff current = 20mA, 500VDC 50MΩ min (At room temperature)						
	Input - FG	2,829VAC 1minute, Cutoff current = 20mA, 500VDC 50MΩ min (At room temperature)						
	Output, CN1, CN2 - FG	2,000VAC 1minute, Cutoff current = 10mA, 500VDC 50MΩ min (At room temperature)						
	Output, CN1, CN2 - CN3	500VAC 1minute, Cutoff current = 10mA, 500VDC 50MΩ min (At room temperature)						
	CN3 - FG	500VAC 1minute, Cutoff current = 10mA, 500VDC 50MΩ min (At room temperature)						
ENVIRONMENT	OPERATING TEMP.,HUMID.AND ALTITUDE	-10 to +70°C (Refer to "Derating"), 20 - 90%RH (Non condensing), 3,000m (10,000 feet) max						
	STORAGE TEMP.,HUMID.AND ALTITUDE	-20 to +75°C, 20 - 90%RH (Non condensing), 9,000m (30,000 feet) max						
	VIBRATION	10 - 55Hz, 19.6m/s ² (2G), 3minutes period, 60minutes each along X, Y and Z axis						
SAFETY AND NOISE REGULATIONS	IMPACT	196.1m/s ² (20G), 11ms, once each along X, Y and Z axis						
	AGENCY APPROVALS	UL62368-1, EN62368-1, C-UL (equivalent to CAN/CSA-C22.2 No.62368-1)						
	CONDUCTED NOISE	Complies with FCC Part 15-A, FCC Part18-A, CISPR11-A, CISPR32-A, EN55011-A, EN55032-A, VCCI-A						
OTHERS	CASE SIZE/WEIGHT	110×41×468mm [4.33×1.61×18.43 inches] (without terminal block and screw) (W×H×D) / 3kg max						
	COOLING METHOD	Forced cooling (internal fan)						

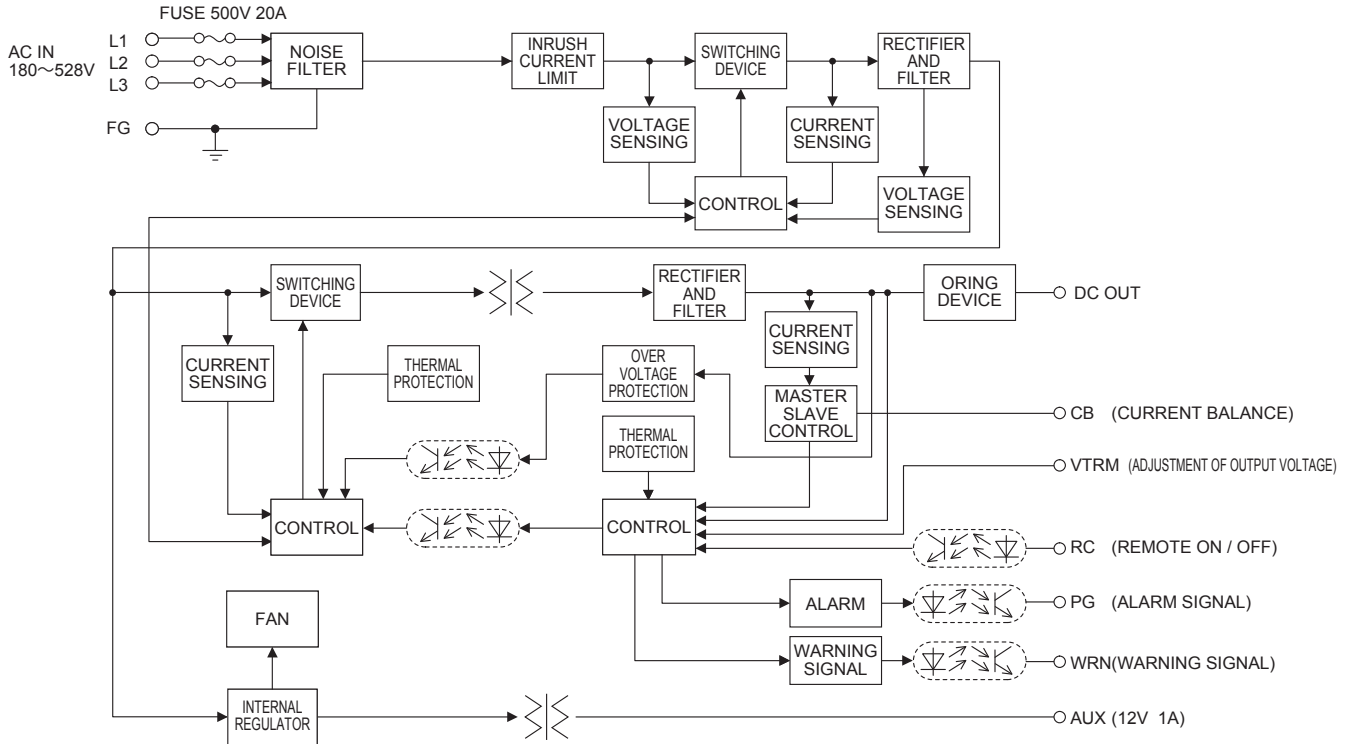
*1 Output derating is required at 180 - 200VAC. Refer to "Derating".
 *2 The value is primary surge. The current of input surge to a built-in EMI/EMS Filter (0.2ms or less) is excluded. More than 3 sec. to re-start.
 *3 Measured by 20MHz oscilloscope or Ripple-Noise meter (equivalent to KEISOKUGIKEN : RM104). Please refer to the instruction manual 1.7.
 * Sound noise may be generated by power supply in case of pulse load.

Features

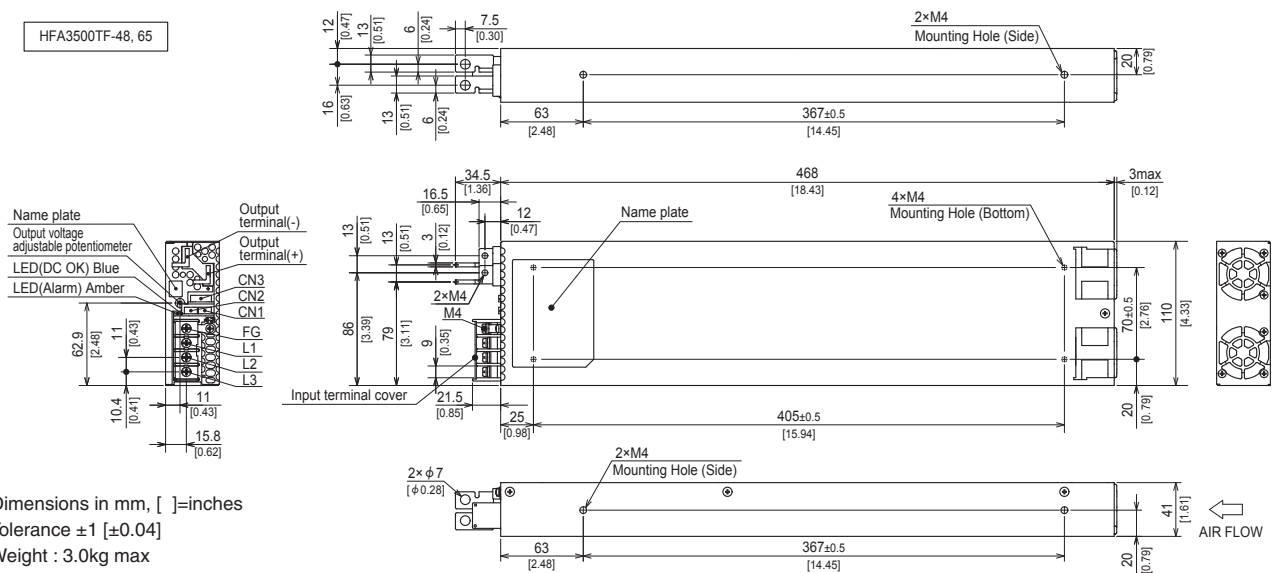
- Low profile (41mm, 1.61 inch = Meet 1U height)
- Wide input voltage range : 3 φ 180 – 528VAC
- Built-in AUX power 12V 1A
- Complies with SEMI F47

- Parallel Operation / N+1 Parallel Redundancy Operation
- High efficiency 94.5%typ (at 400VAC input and 130V, 200V, 300V output)
- Built-in Alarms
- Built-in ORING DEVICE

Block diagram

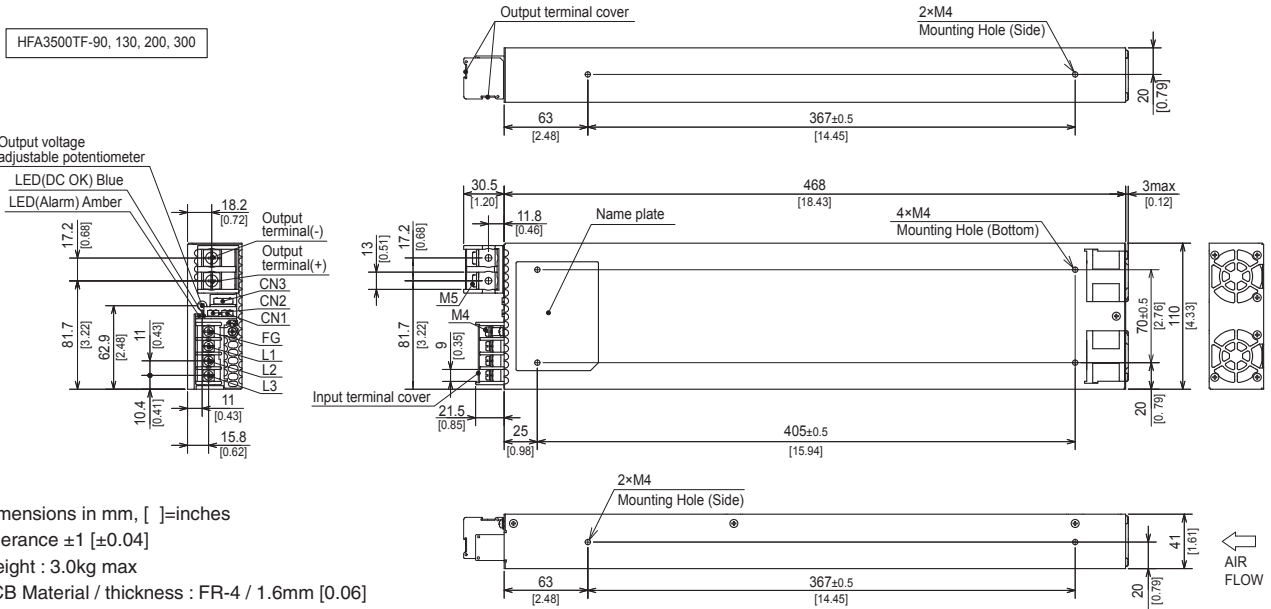


External view



- * Dimensions in mm, []=inches
- * Tolerance ± 1 [± 0.04]
- * Weight : 3.0kg max
- * PCB Material / thickness : FR-4 / 1.6mm [0.06]
- * Chassis Material : Stainless
- * Mounting torque : M4 1.2N·m max
- * Input and output terminal screw tightening torque: M4 1.6N·m max
- * Please connect safety ground to FG terminal on the unit.

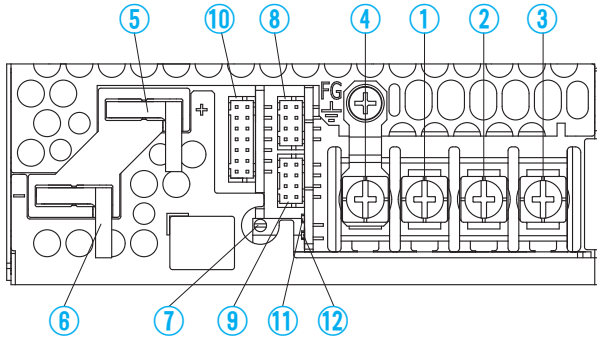
External view



- * Dimensions in mm, []=inches
- * Tolerance ±1 [±0.04]
- * Weight : 3.0kg max
- * PCB Material / thickness : FR-4 / 1.6mm [0.06]
- * Chassis Material : Stainless
- * Mounting torque : M4 1.2N·m max
- * Input and output terminal screw tightening torque
M4 1.6N·m max
M5 2.5N·m max
- * Please connect safety ground to FG terminal on the unit.

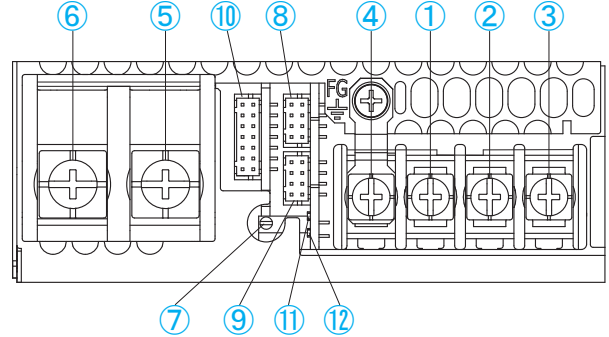
Terminal Blocks

● HFA3500TF-48, 65

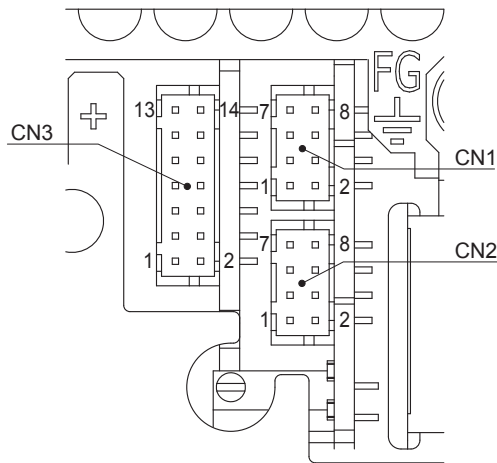


- ① AC (L1)
 - ② AC (L2)
 - ③ AC (L3)
 - ④ Frame ground (M4 \perp)
 - ⑤ +Output
 - ⑥ -Output
 - ⑦ Output voltage adjustable potentiometer
 - ⑧ CN1
 - ⑨ CN2
 - ⑩ CN3
 - ⑪ LED for output voltage confirmation (DC_OK) Color : Blue
 - ⑫ LED for fault condition detection (ALARM) Color : Amber
- } Input Terminals 180—528VAC 3 ϕ 45—66Hz (M4)
- } Connectors

● HFA3500TF-90, 130, 200, 300



● Pin Configuration and Functions



Pin Configuration and Functions of CN1, CN2

Mating connector and terminal

Connector	Housing	Terminal	Mfr.	
CN1	S8B-PHDSS	PHDR-8VS	Reel : SPHD-001T-P0.5	J.S.T.
			Loose : BPHD-001T-P0.5 *	
CN2	S14B-PHDSS	PHDR-14VS	Loose : BPHD-001T-P0.5 *	
CN3			BPHD-002T-P0.5 *	

* The manufacturer prepares only the ratchet hand.

Pin Configuration and Functions of CN1, CN2

Pin No.	Function	Ground level
1	+S : +Remote sensing *1	COM
2,3	N.C. : No connection	-
4	-S : -Remote sensing *1	COM
5	CB : Current Balance	COM
6	N.C. : No connection	-
7	VTRM : Adjustment of output voltage	COM
8	COM : Common ground (for signal)	COM

- * Each terminal of CN1 and CN2 are connected inside the power supply.
- * Do not connect anything to N.C. pins.
- * 1 Only valid for HFA3500TF-48, 65, 90, 130.
- Do not connect anything to the +S and -S terminals of the HFA3500TF-200 and 300.

Pin Configuration and Functions of CN3

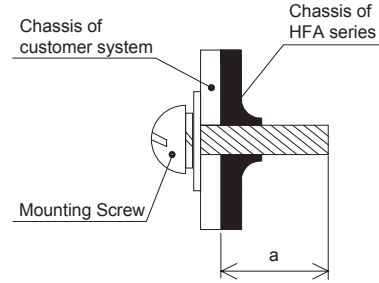
Pin No.	Function	Ground level
1	AUXG : Auxiliary output ground (Same potential as SGND)	AUXG
2	SGND : Signal ground (Same potential as AUXG)	SGND
3	AUX : Auxiliary output	AUXG
4	B : RS485 differential signal (-, Inverted) *1	SGND
5	A : RS485 differential signal (+, Non-Inverting) *1	SGND
6	ADDR1 : Address bit 1 *1	SGND
7	SLV_EN : Enable Slave mode	SGND
8	ADDR0 : Address bit 0 *1	SGND
9	RC : Remote ON/OFF	RCG
10	RCG : Remote ON/OFF ground	RCG
11	WRN : Warning signal	WRNG
12	WRNG : Warning signal ground	WRNG
13	PG : Alarm signal	PGG
14	PGG : Alarm signal ground	PGG

* 1 For -I4 option.

Assembling and Installation Method

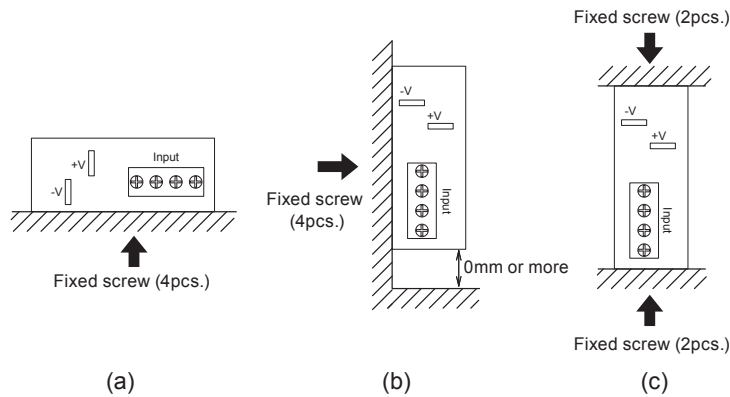
Installation Method

- Screw mounting requires considering the product weight for safety fixtures.
- To keep enough insulation distance between screws and internal components, length of the mounting screw should not exceed recommendation as shown in right figure.

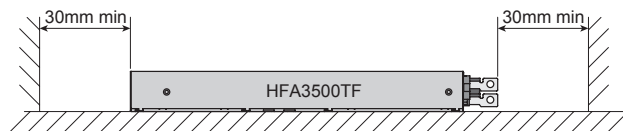


Mounting hole	a (Max penetration length)
Bottom	6mm max
Side	4.5mm max

- When mounting the power supply with screws, it is recommended that this be done as shown below. If other methods are used, be sure the weight of the power supply is taken into account. The following figures show examples for the HFA3500TF-48 and -65. The HFA3500TF-90, -130, -200, and -300 models have different output interfaces. Please refer to the external views for the HFA3500TF-90, -130, -200, and -300.

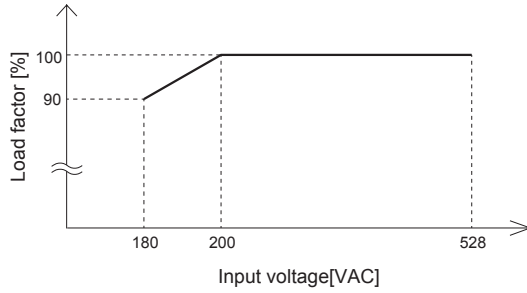


- The power supplies have a built-in forced cooling fan. Do not block ventilation at the suction side and its opposite side.
- If you use a power supply in a dusty environment, it can cause a failure. Please consider taking such countermeasures as installing an air filter near the suction area of the system to prevent a failure. The following figures show examples for the HFA3500TF-48 and -65. The HFA3500TF-90, -130, -200, and -300 models have different output interfaces. Please refer to the external views for the HFA3500TF-90, -130, -200, and -300.



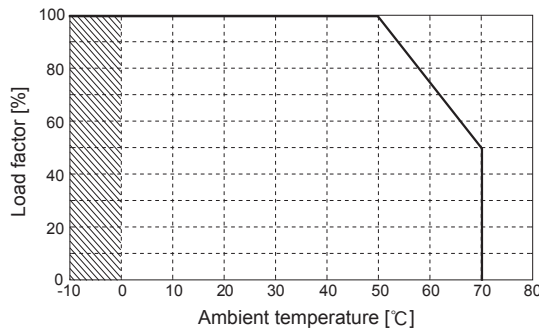
Derating

● Derating curve depends on Input voltage



● Derating curve depends on Output voltage

■ Specifications for ripple and ripple noise changes in the shaded area.



Instruction Manual

◆ It is necessary to read the "Instruction Manual" and "Before using our product" before you use our product.

Basic Characteristics Data

Model	Circuit method	Switching frequency [kHz]	Input current [A] *	Inrush current protection	Series/Parallel operation availability	
					Series operation	Parallel operation
HFA3500TF	Active filter	130	11.7	Thermistor + IGBT + Relay	Yes	Yes
	Phase-shift Full-bridge converter	(Primary) 95				
		(Secondary) 190				

* The value of input current is at 200VAC input and rated load.